



World Guide Rail Alliance

USA/Canada

Monteferro America
Phone (204) 222-0247
1.866.222.0247
Fax (204) 224-4275
E-mail: sales@monteferroamerica.com

Italy

Monteferro S.p.A.
Phone: ++39-0332-970970
Fax: ++39-0332-971016
E-mail: customer.service@monteferro.i

Brazil

Monteferro América Latina L.T.D.A.
Phone: ++55-11-38744760
Fax: ++55-11-38744764
E-mail: mfalvend@aol.com

Czech Republic

Monteferro Hradek A.S.
Phone: ++420-181-725467
Fax: ++420-181-725477
E-mail: customer.service@monteferro.cz

China

Hebei Monteferro Guide Rails Co., L.T.D.
Phone: ++86-317-2029504
Fax: ++86-317-2026327
E-mail: montefer@public.czptt.he.cn

Hong Kong

Monteferro Pacific Trading Ltd.
Phone: ++852-25214225
Fax: ++852-25261393
E-mail: mfpt@hkstar.com

Printed in Canada



s p e c i f i c a t i o n s

 **Clips**

ISO 9002 certified since 1995

Monteferro America

Clips

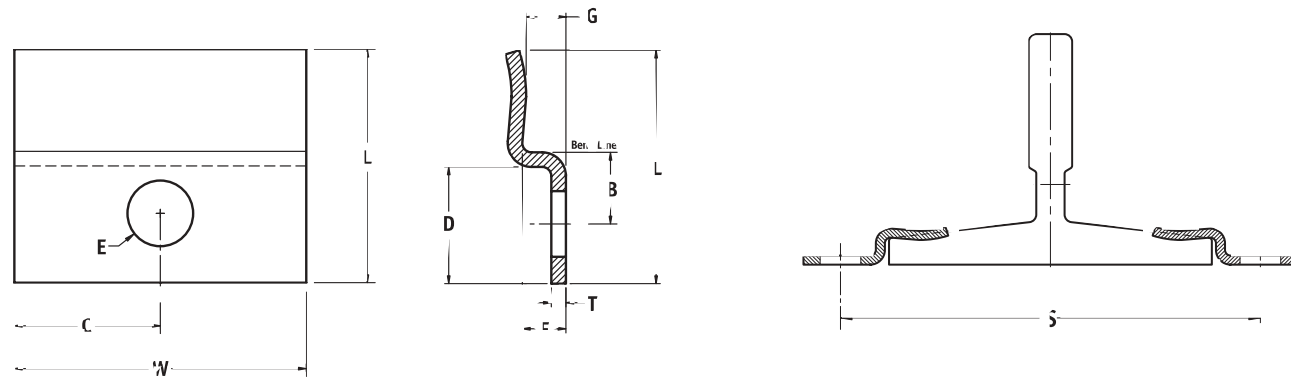
Monteferro offers four types of guide rail clamping systems adaptable to your specific design needs.

All dimensions in inches unless noted.

Sliding Clips

Pressed steel sliding guide rail clamping system. Recommended for applications where guide rail stack movement is required due to thermal expansion or building settlement.

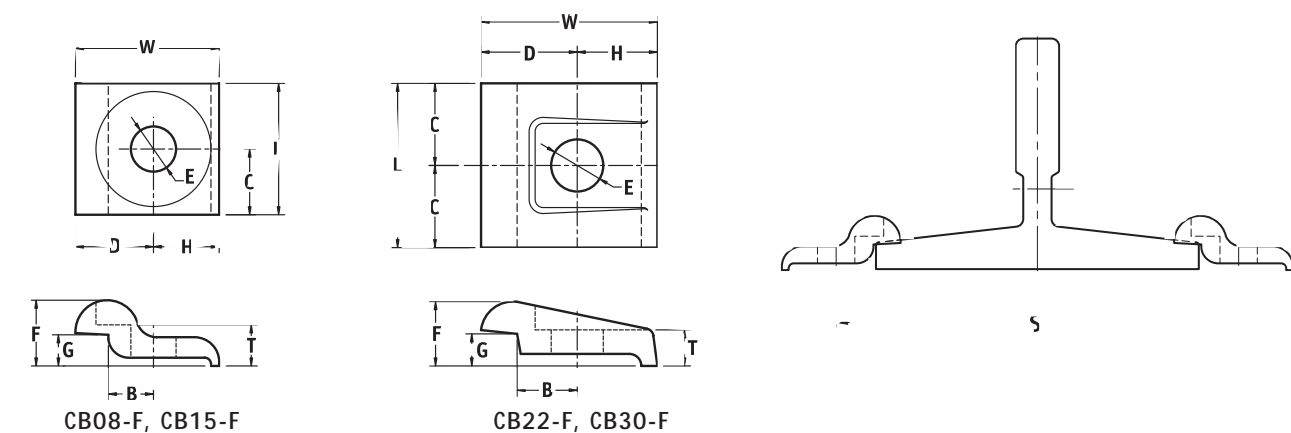
Monteferro Part Number	Applicable Rail Size	wt/pc (lbs)	L	W	B	C	D	E	F	G	T	S _(+/- 0.125)
CB08-S	T89	0.20	2.000	2.500	0.531	1.250	1.000	0.563	0.375	0.281	0.125	4.56
CB12-S	T114	0.49	2.688	3.000	0.813	1.500	1.250	0.688	0.375	0.313	0.188	6.13
CB12-S	T127-1	0.49	2.688	3.000	0.813	1.500	1.250	0.688	0.375	0.313	0.188	6.63
CB15-S	T127-2	0.52	2.750	3.000	0.781	1.500	1.250	0.688	0.563	0.500	0.188	6.63
CB15-S	T140-1	0.52	2.750	3.000	0.781	1.500	1.250	0.688	0.563	0.500	0.188	6.56
CB22-S	T140-2	0.61	3.200	3.500	1.000	1.750	1.813	0.813	0.526	0.479	0.188	7.07



Forged Clips

Hot forged rigid guide rail clamping system. Recommended use for applications where guide rail stack movement is not expected.

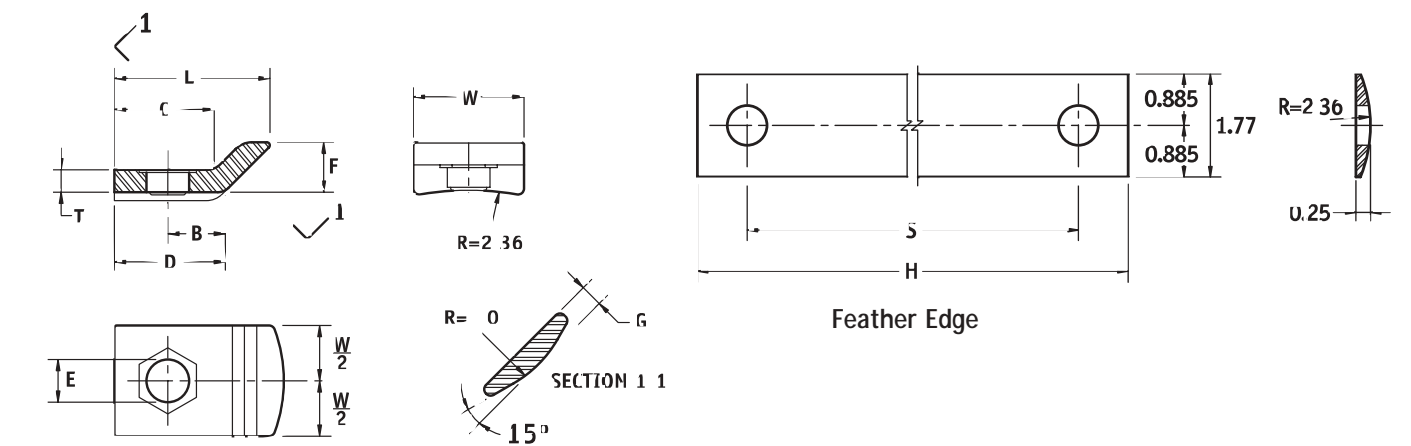
Monteferro Part Number	Applicable Rail Size	wt/pc (lbs)	L	W	B	C	D	E	F	G	H	T	S _(+/- 0.14)
CB08-F	T89	0.18	1.625	1.625	0.500	0.813	0.875	0.563	0.719	0.313	0.750	0.389	4.50
CB15-F	T114	0.42	2.000	2.188	0.688	1.000	1.188	0.688	1.000	0.500	1.000	0.625	5.88
CB15-F	T127-1	0.42	2.000	2.188	0.688	1.000	1.188	0.688	1.000	0.500	1.000	0.625	6.38
CB15-F	T127-2	0.42	2.000	2.188	0.688	1.000	1.188	0.688	1.000	0.500	1.000	0.625	6.38
CB15-F	T140-1	0.42	2.000	2.188	0.688	1.000	1.188	0.688	1.000	0.500	1.000	0.625	6.88
CB22-F	T140-2	0.92	2.563	2.750	0.938	1.281	1.500	0.813	1.000	0.500	1.250	0.625	7.39
CB30-F	T140-3	1.15	3.000	2.750	0.938	1.500	1.500	0.813	1.125	0.750	1.250	0.750	7.39



Sliding Clamp

Hot forged sliding guide rail clamping system. Engineered to provide a point bearing contact used in conjunction with the Feather Edge radius guide rail seat. This clamp system provides the strength of a forged clip with the flexibility of the sliding clip. This system is recommended for high-rise and high-speed applications.

Monteferro Part Number	Applicable Rail Size	wt/pc (lbs)	L	W	B	C	D	E _{mm}	F	G	T	H	S _(+/- 0.02)
CB08-C	T89	0.95	1.73	1.57	0.71	1.14	1.30	14	0.55	0.31	0.275	6.77	5.43
CB11-C	T114	1.07	1.73	1.57	0.71	1.14	1.30	14	0.55	0.31	0.275	8.19	6.61
CB15-C	T127-1	1.43	2.17	1.77	0.71	1.38	1.50	18	0.79	0.35	0.393	8.94	7.20
CB15-C	T127-2	1.43	2.17	1.77	0.71	1.38	1.50	18	0.79	0.35	0.393	8.94	7.20
CB18-C	T140-1	1.47	2.17	1.77	0.71	1.38	1.50	18	0.79	0.35	0.393	9.53	7.80
CB22-C	T140-2	1.50	2.17	1.77	0.71	1.38	1.50	18	0.79	0.35	0.393	9.84	8.27



T-Clips

Hot forged rigid guide rail clamping system. Recommended use for applications where guide rail stack movement is not expected. These clips come complete with threaded shank and nut.

Monteferro Part Number	Applicable Rail Size	wt/pc (lbs)	Bolt Size (metric)	A	B	C	D	E	F	G	H	S _(+/- 0.125)
CB08-T3	T89	0.26	M14	1.772	1.142	0.827	0.630	0.335	0.354	0.472	1.378	4.13
CB15-T4	T127-2	0.40	M16	1.969	1.299	0.866	0.748	0.433	0.394	0.591	1.575	5.67
CB22-T5	T140-2	0.70	M18	2.165	1.457	0.866	0.906	0.512	0.433	0.699	1.654	6.38

