



World Guide Rail Alliance



s p e c i f i c a t i o n s



Fishplates

USA/Canada

Monteferro America
Phone (204) 222-0247
1.866.222.0247
Fax (204) 224-4275
E-mail: sales@monteferroamerica.com

Italy

Monteferro S.p.A.
Phone: ++39-0332-970970
Fax: ++39-0332-971016
E-mail: customer.service@monteferro.i

Brazil

Monteferro América Latina L.T.D.A.
Phone: ++55-11-38744760
Fax: ++55-11-38744764
E-mail: mfalvend@aol.com

Czech Republic

Monteferro Hradek A.S.
Phone: ++420-181-725467
Fax: ++420-181-725477
E-mail: customer.service@monteferro.cz

China

Hebei Monteferro Guide Rails Co., L.T.D.
Phone: ++86-317-2029504
Fax: ++86-317-2026327
E-mail: montefer@public.czptt.he.cn

Hong Kong

Monteferro Pacific Trading Ltd.
Phone: ++852-25214225
Fax: ++852-25261393
E-mail: mfpt@hkstar.com

Printed in Canada

ISO 9002 certified since 1995

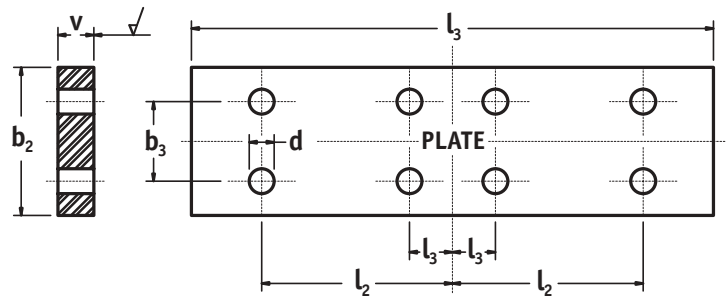
Monteferro America

Monteferro manufactures a complete range of fishplates for varying hoistway applications. We also offer custom and special application fishplate design and manufacturing.

Standard Fishplates

All dimensions in inches unless noted

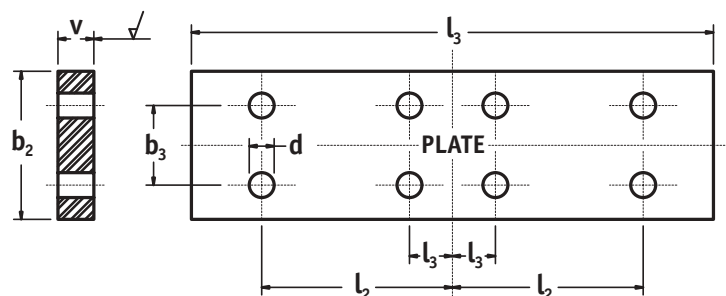
Rail Size	wt/pc (lbs)	d	b ₂	b ₃	l ₁	l ₂	l ₃	V	Hex Head Bolt Size
T70	4.68	0.5625	2.75	1.813	12.0	4.50	1.50	0.50	1/2 x 1 1/2
T89	7.44	0.5625	3.50	2.250	12.0	4.50	1.50	0.63	1/2 x 1 3/4
T114	11.49	0.6875	4.50	2.625	12.0	4.50	1.50	0.75	5/8 x 2
T127-1	12.76	0.6875	5.00	3.125	12.0	4.50	1.50	0.75	5/8 x 2
T127-2	12.76	0.6875	5.00	3.125	12.0	4.50	1.50	0.75	5/8 x 2
T140-1	22.62	0.8125	5.50	3.625	14.5	6.00	1.25	1.00	3/4 x 2 1/2
T140-2	22.62	0.8125	5.50	3.625	14.5	6.00	1.25	1.00	3/4 x 2 1/2
T140-3	28.27	0.8125	5.50	3.625	14.5	6.00	1.25	1.25	3/4 x 3



Double Thick Fishplates

Used to improve guide rail stiffness in high speed applications.

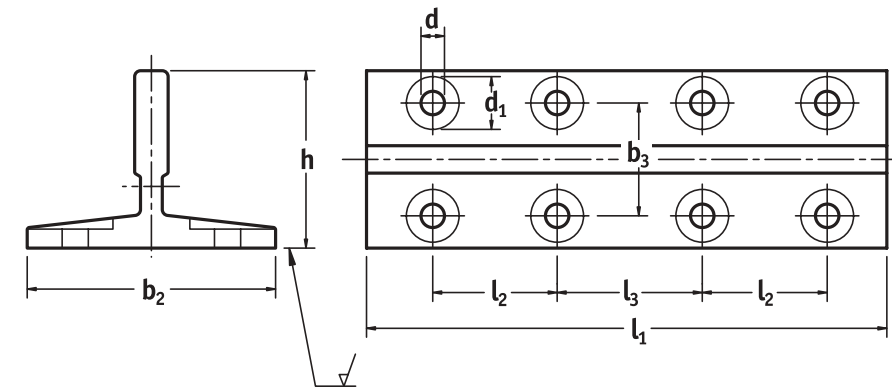
Rail Size	wt/pc (lbs)	d	b ₂	b ₃	l ₁	l ₂	l ₃	V	Hex Head Bolt Size
T70	9.36	0.5625	2.75	1.813	12.0	4.50	1.50	1.00	1/2 x 2
T89	14.89	0.5625	3.50	2.250	12.0	4.50	1.50	1.25	1/2 x 2 1/2
T114	22.97	0.6875	4.50	2.625	12.0	4.50	1.50	1.50	5/8 x 2 3/4
T127-1	25.53	0.6875	5.00	3.125	12.0	4.50	1.50	1.50	5/8 x 2 3/4
T127-2	25.53	0.6875	5.00	3.125	12.0	4.50	1.50	1.50	5/8 x 2 3/4
T140-1	45.24	0.8125	5.50	3.625	14.5	6.00	1.25	2.00	3/4 x 3 1/2
T140-2	45.24	0.8125	5.50	3.625	14.5	6.00	1.25	2.00	3/4 x 3 1/2
T140-3	56.54	0.8125	5.50	3.625	14.5	6.00	1.25	2.50	3/4 x 4 1/2



T - Plates

Manufactured from the same section as the guide rail, these fishplates provide mechanical characteristics, which satisfies the requirements of ANSI A17.1, Seismic Zone 3.

Rail Size	wt/pc (lbs)	d	d ₁	b ₂	b ₃	l ₁	l ₂	l ₃	h	Hex Head Bolt Size
T89	8.27	0.5625	1.024	3.50	2.250	12.0	3.00	3.00	2.44	1/2 x 2
T114	11.12	0.6875	1.299	4.50	2.625	12.0	3.00	3.00	3.50	5/8 x 2 1/4
T127-2	15.11	0.6875	1.299	5.00	3.125	12.0	3.00	3.00	3.50	5/8 x 2 1/4
T140-1	22.41	0.8125	1.575	5.50	3.625	14.5	4.75	2.50	4.25	3/4 x 2 3/4
T140-2	27.54	0.8125	1.575	5.50	3.625	14.5	4.75	2.50	4.00	3/4 x 2 3/4
T140-3	37.35	0.8125	1.575	5.50	3.625	14.5	4.75	2.50	5.00	3/4 x 3



Minimum Clearance Seismic Fishplates

Designed to fulfill the requirements of ANSI A17.1, Seismic Zone 3 with a minimum fishplate depth. These fishplates are manufactured with a threaded (tapped) hole for ease of installation.

Rail Size	wt/pc (lbs)	d	b ₂	b ₃	l ₁	l ₂	l ₃	V	Hex Head Bolt Size
T89	20.09	0.5625	3.50	2.250	12.0	6.00	3.00	1.687	1/2 x 2
T114	34.54	0.6875	4.50	2.620	12.0	6.00	3.00	2.255	5/8 x 2 1/4
T127-2	38.37	0.6875	5.00	3.125	12.0	6.00	3.00	2.255	5/8 x 2 1/4
T140-1	62.49	0.8125	5.50	3.625	14.5	7.25	4.75	2.763	3/4 x 2 3/4
T140-2	65.57	0.8125	5.50	3.625	14.5	7.25	4.75	2.899	3/4 x 2 3/4
T140-3	84.61	0.8125	5.50	3.625	14.5	7.25	4.75	3.741	3/4 x 3

